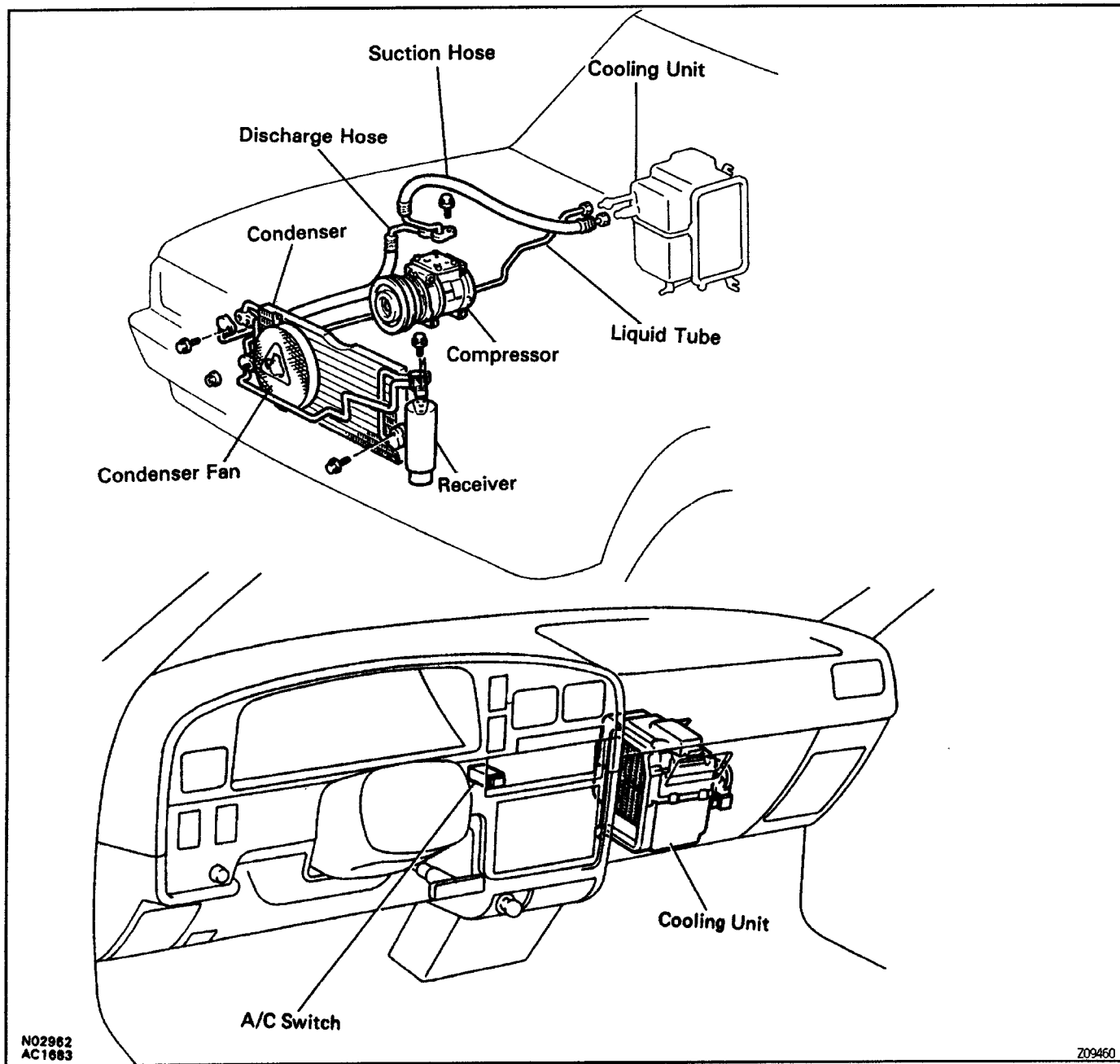


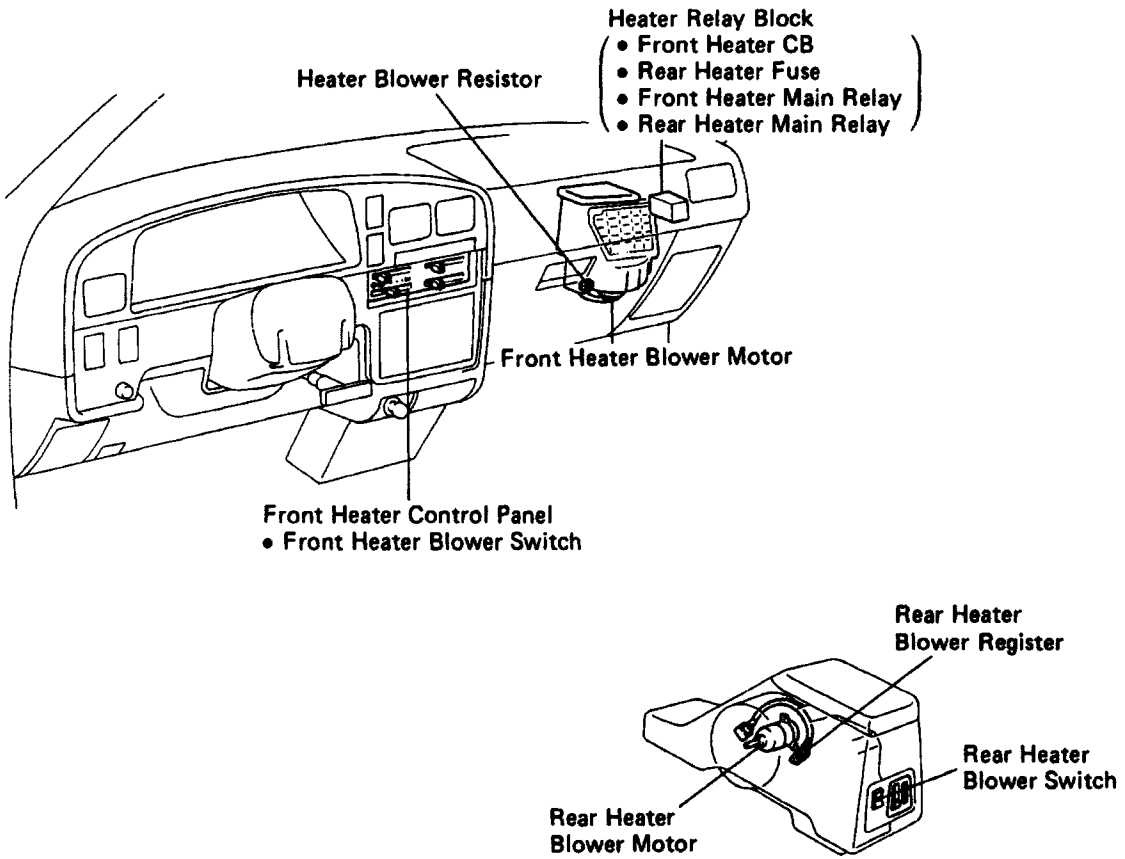
# DESCRIPTION

## PARTS LOCATION



NO2962  
AC1683

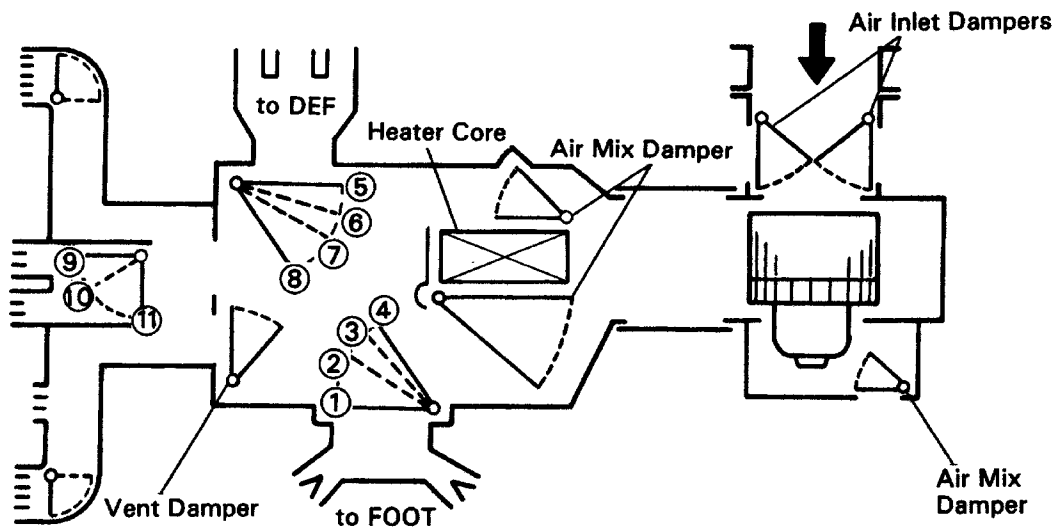
Z09460








BE2775  
AC1909

Z09463

# DAMPERS POSITION



Mode	Air Flow Mode Control Damper Positions	Air Flow Vents				
		Center	Side	Foot	Def.	Center of Driver's seat
Face 	① ⑤ ⑨	○	○			○
Bi-Level 	② ⑤ ⑩	○	○	○		○
Foot 	④ ⑥ ⑪		○	○	○	○
Foot/Def. 	③ ⑦ ⑪		○	○	○	○
Def. 	① ⑧ ⑪		○		○	○

The size of circle (0) indicates the proportion of the air flow volume.

# ELECTRICAL WIRING DIAGRAM

