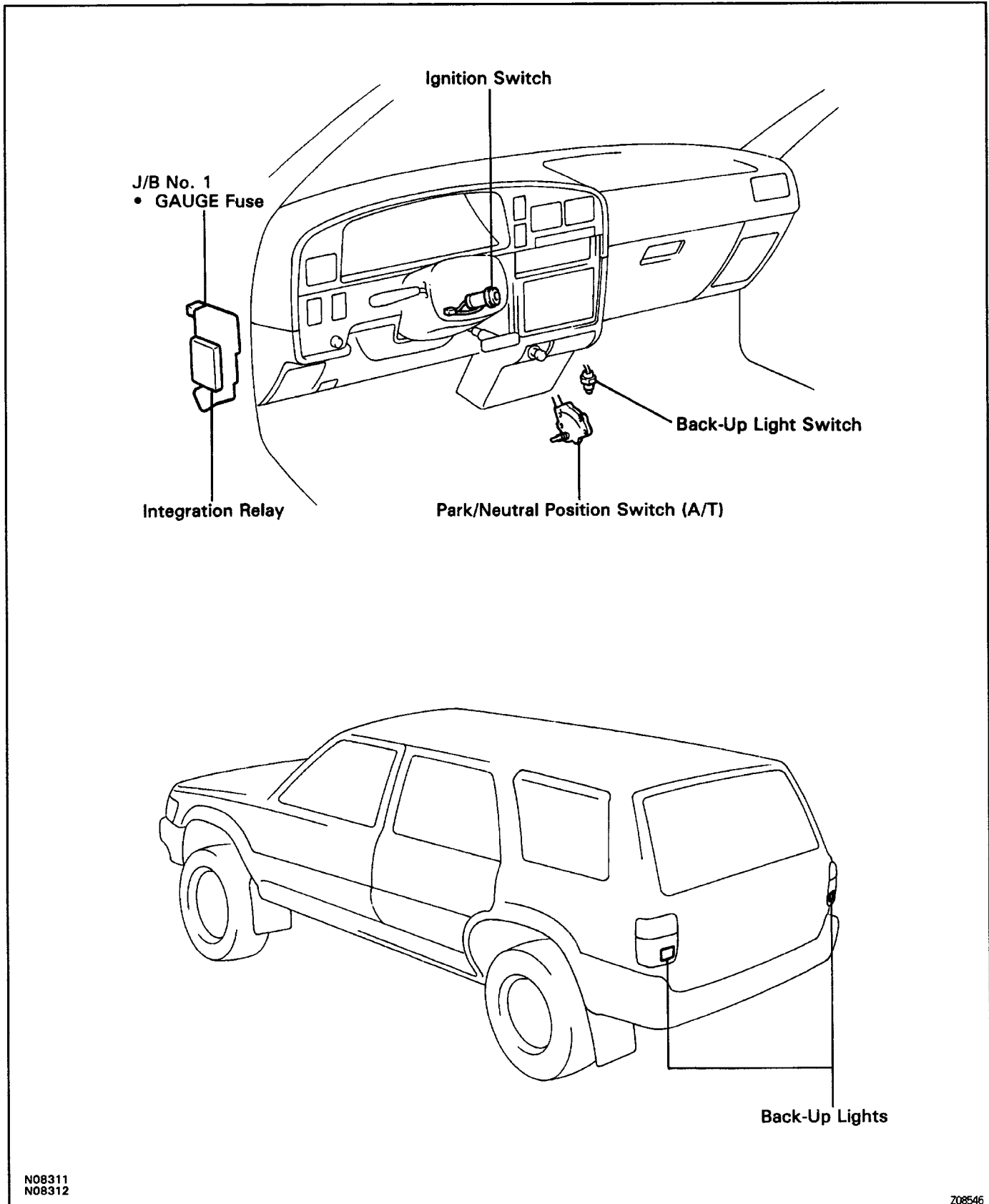


# BACK-UP LIGHT SYSTEM PARTS LOCATION



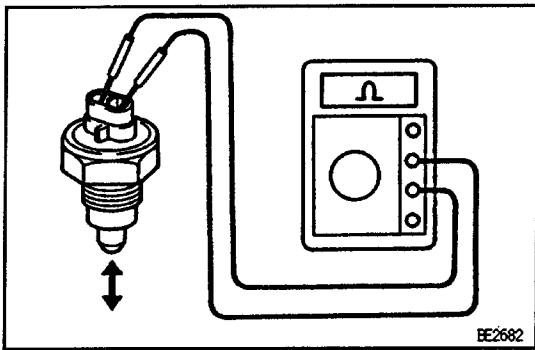
## TROUBLESHOOTING

The table below will be useful for you in troubleshooting these electrical problems. The most likely causes of the malfunction are shown in the order of their probability. Inspect each part in the order shown, and replace the part when it is found to be faulty.

Trouble	Parts name	(See page)
Back-Up Light does not light up	1. Bulb	
	2. GAUGE Fuse	(BE-11)
	3. Ignition Switch	(BE-12)
	4. Park/ Neutral Position Switch (A/T)'	
	5. Back-Up Light Switch (M/T)	(BE-37)
	6. Wire Harness	
Back-Up Light remains always on	1. Wire Harness	
Only one light does not light up	1. Bulb	
	2. Wire Harness	

\* See page [AT2-40](#) (A340H)

See page [AT1-41](#) (A340E, A340F)



### BACK-UP LIGHT SWITCH INSPECTION

#### INSPECT BACK-UP LIGHT SWITCH

Check that there is continuity between terminals, as shown.

Switch position	Specified
<b>Push</b>	<b>Continuity</b>
<b>Free</b>	<b>No continuity</b>

If continuity is not as specified, replace the switch.

### PARK/ NEUTRAL POSITION SWITCH INSPECTION

See Park/ Neutral Position Switch on page [AT2-40](#), [AT1-41](#)