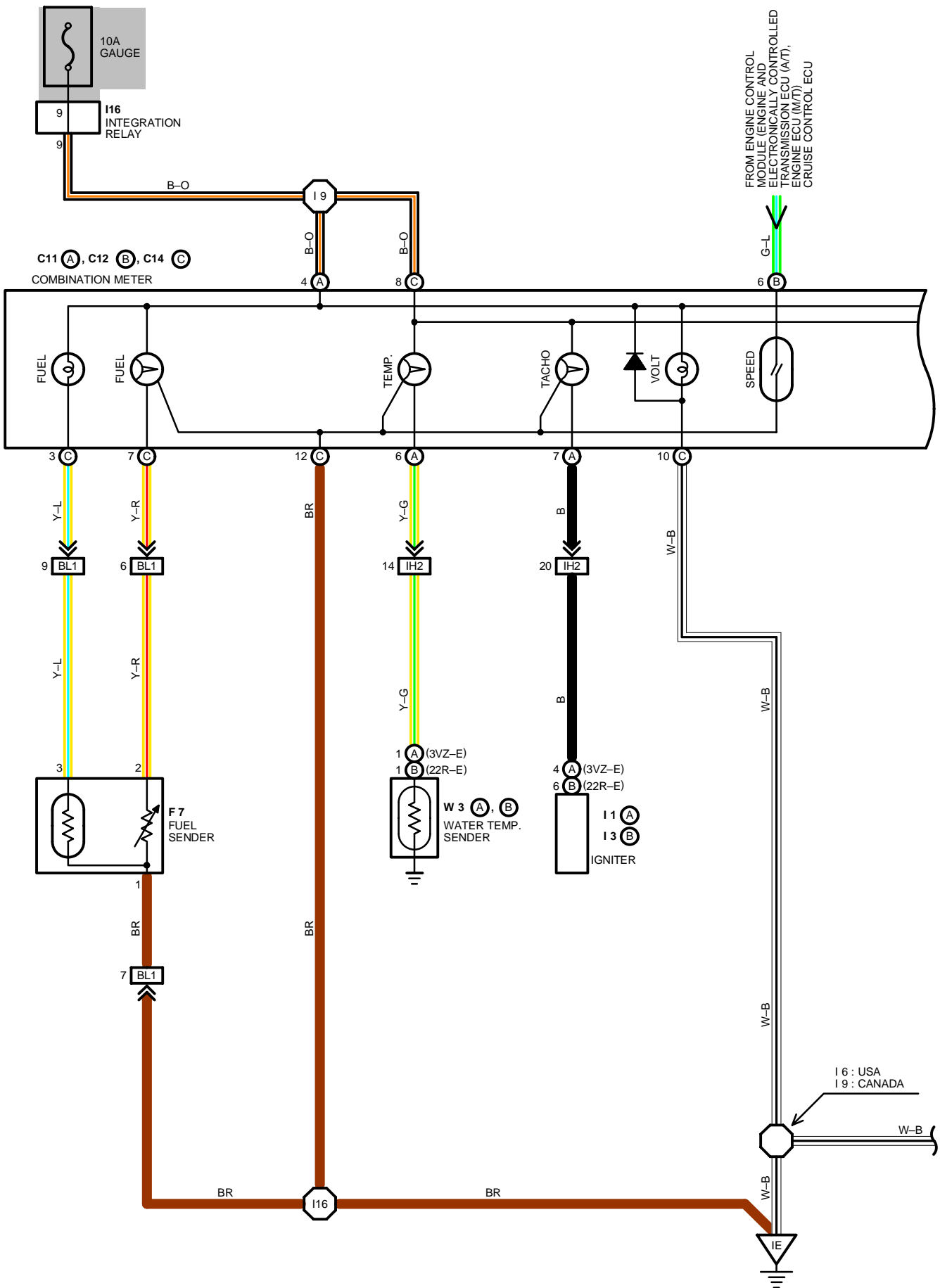
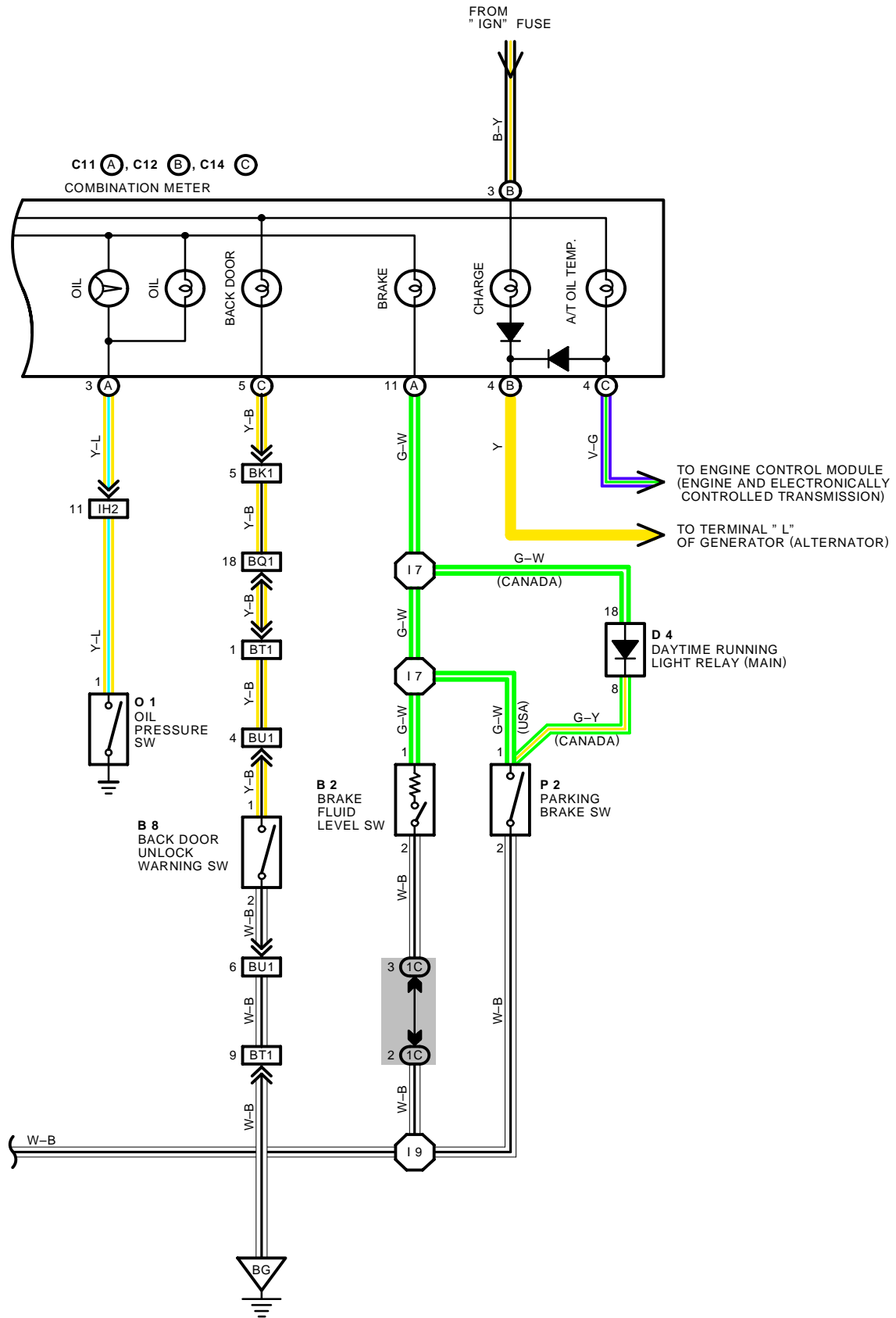


COMBINATION METER





COMBINATION METER

SERVICE HINTS

B 2 BRAKE FLUID LEVEL SW

1-2 : CLOSED WITH FLOAT DOWN

C11(A), C12(B), C14(C) COMBINATION METER

(A) 4, (D) 8-GROUND: APPROX. 12 VOLTS WITH IGNITION SW ON

(D) 10, (D) 12-GROUND: ALWAYS CONTINUOUS

(B) 3-GROUND: APPROX. 12 VOLTS WITH IGNITION SW ON

B 8 BACK DOOR UNLOCK WARNING SW

1-2 : CLOSED WITH BACK DOOR OPEN

P 2 PARKING BRAKE SW

1-2 : CLOSED WITH PARKING BRAKE LEVER PULLED UP

○ : PARTS LOCATION

CODE		SEE PAGE	CODE		SEE PAGE	CODE		SEE PAGE
B 2		24 (3VZ-E)	D 4		28	O 1	27 (22R-E)	
		26 (22R-E)	F 7		29	P 2	28	
B 8		29	I 1	A	25 (3VZ-E)	W 3	A	25 (3VZ-E)
C11	A	28	I 3	B	27 (22R-E)		B	27 (22R-E)
C12	B	28	I16		28			
C14	C	28	O 1		25 (3VZ-E)			

○ : JUNCTION BLOCK AND WIRE HARNESS CONNECTOR

CODE	SEE PAGE	JUNCTION BLOCK AND WIRE HARNESS (CONNECTOR LOCATION)
1C	20	COWL WIRE AND J/B NO. 1 (LEFT KICK PANEL)

□ : CONNECTOR JOINING WIRE HARNESS AND WIRE HARNESS

CODE	SEE PAGE	JOINING WIRE HARNESS AND WIRE HARNESS (CONNECTOR LOCATION)
IH2	34	ENGINE WIRE AND COWL WIRE (RIGHT KICK PANEL)
BK1	36	FLOOR NO. 3 LH WIRE AND COWL WIRE (LEFT SIDE OF FRONT LH SEAT)
BL1	36	FRAME NO. 2 WIRE AND COWL WIRE (UNDER THE FRONT LH SEAT)
BQ1	36	FLOOR NO. 3 LH WIRE AND FLOOR NO. 2 WIRE (LEFT SIDE OF REAR LH SEAT)
BT1	36	BACK DOOR NO. 1 WIRE AND FLOOR NO. 2 WIRE (BESIDE LEFT REAR COMB. LIGHT)
BU1	36	BACK DOOR NO. 1 WIRE AND BACK DOOR NO. 2 WIRE (BACK DOOR LEFT)

▽ : GROUND POINTS

CODE	SEE PAGE	GROUND POINTS LOCATION
IE	34	LEFT KICK PANEL
BG	36	UNDER LEFT REAR PILLAR

○ : SPLICE POINTS

CODE	SEE PAGE	WIRE HARNESS WITH SPLICE POINTS	CODE	SEE PAGE	WIRE HARNESS WITH SPLICE POINTS
I 6	34	COWL WIRE	I 9	34	COWL WIRE
I 7			I16		

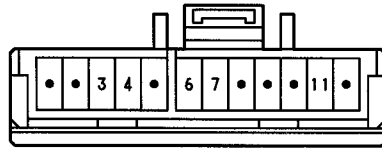
B 2 GRAY



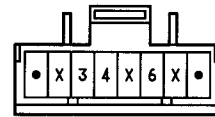
B 8 BLACK



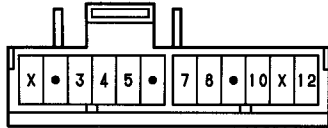
C11 (A) BLUE



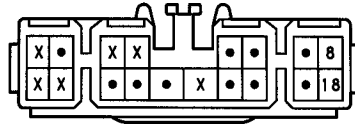
C12 (B)



C14 (C)



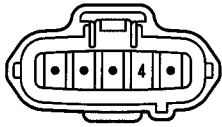
D 4 GRAY



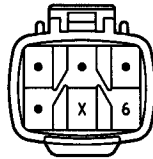
F 7 DARK GRAY



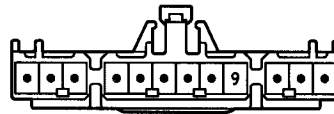
(3VZ-E) I 1 (A) BLACK



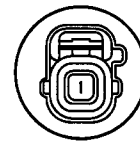
(22R-E) I 3 (B) DARK GRAY



I16



O 1 GRAY



P 2 (3VZ-E) W 3 (A) GRAY (22R-E) W 3 (B) GRAY

